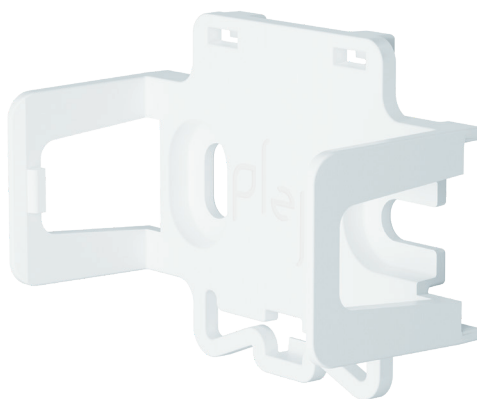


# Mounting clip

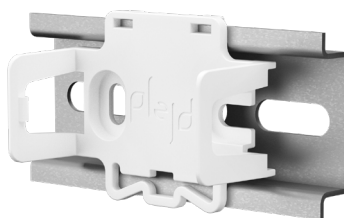
MNT-01



Mounting clip enables any Plejd puck to be mounted on a DIN rail or a wall.

#### Compatible with:

Dimmer LED	DIM-01
2-channel dimmer	DIM-02
Dimmer 1-10 V	CTR-01
2-channel relay	REL-02
LED driver 10 W	LED-10
Relay 16 A	REL-01-2P
Dimmer 2-pole	DIM-01-2P
DALI Broadcast	DAL-01



**DIMENSIONS**  
50x38x24 mm  
Width on DIN rail: 3u

**PACKAGING**  
Contains 10 clips.